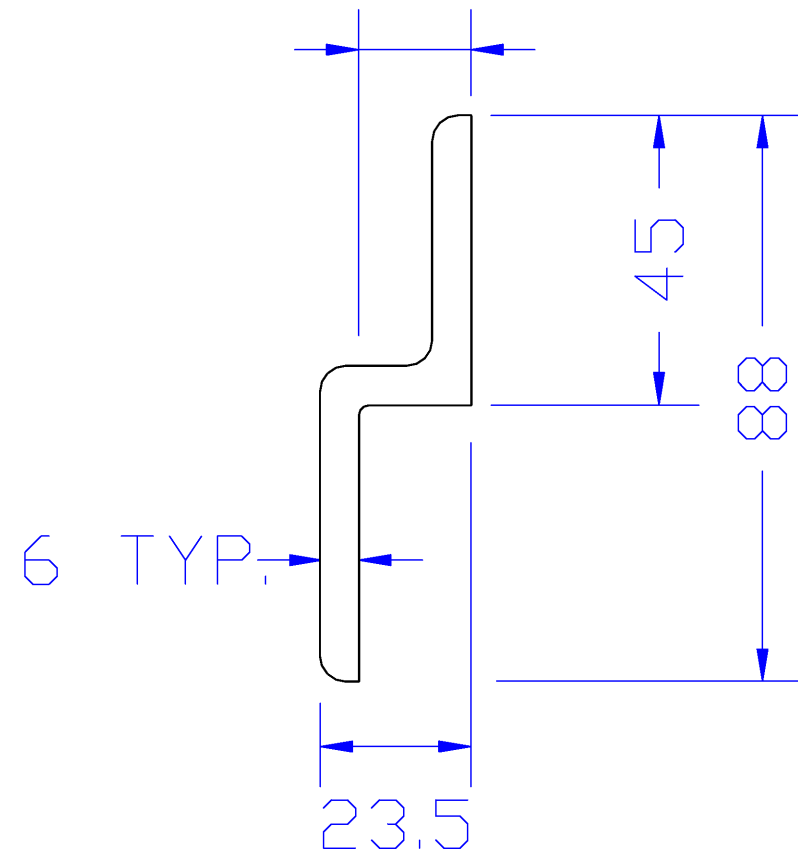
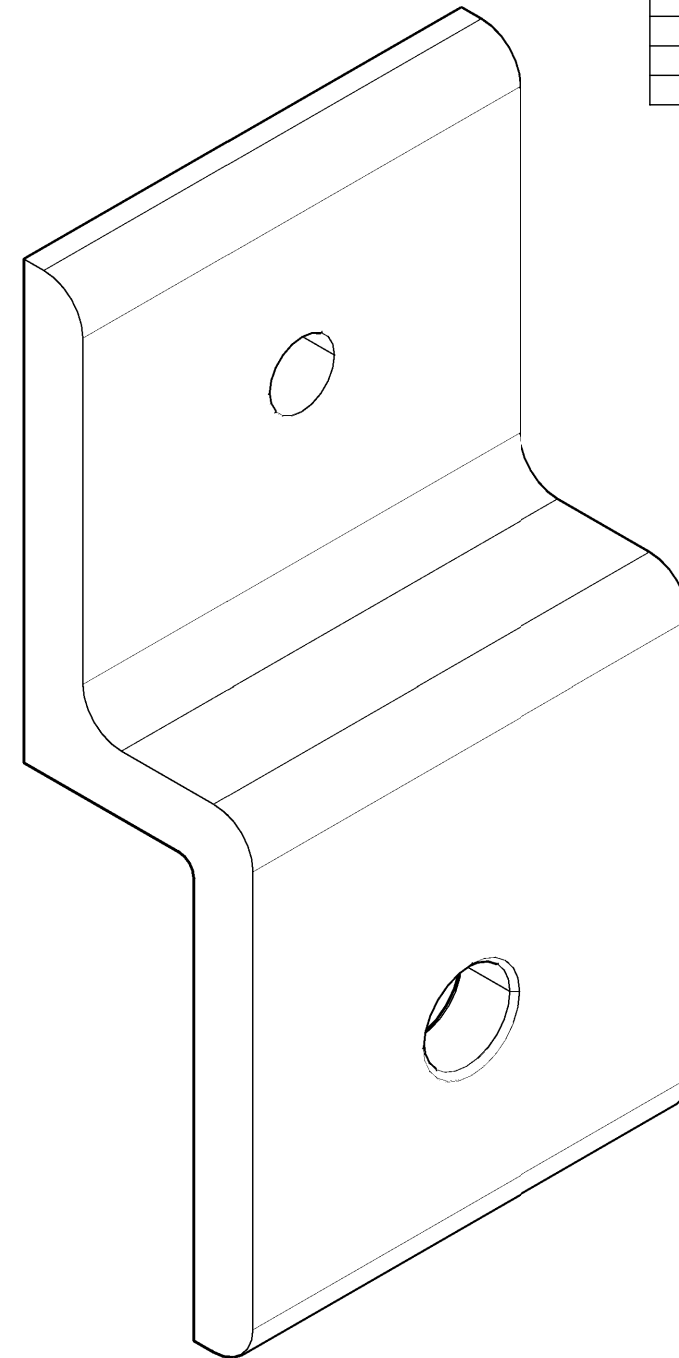
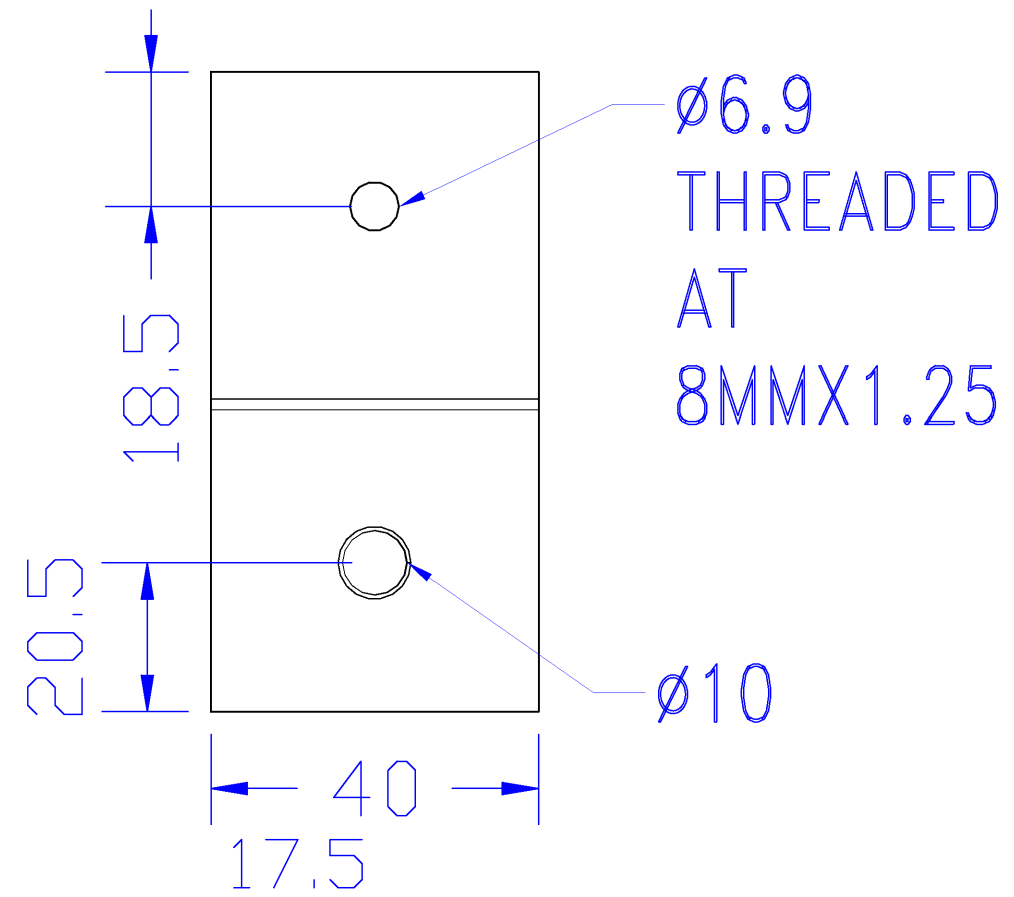


REV	DESCRIPTION	ENG	DATE



6MM TYP
MATERIAL: ALUMINUM

DIMENSIONS IN MILLIMETERS

64-030-1 INCLUDES	
PART #	QTY
M8FW-0	1X
M8X20LHSCS-0	2X
M8S-PF	1X

MODULAR SOLUTIONS

2704 PALDAN DRIVE
AUBURN HILLS MI 48326
PH 248.625.8890
www.the-modular-solution.com

TITLE: 45 SERIES WIRE MESH PANEL HOLDER			
DESIGN/REL: JSM / EJS	PROJ: 64-030-0	DWG: 64-030-0	QTY REQ'D: 1
DATE: February 7, 2023			